

[Home](#) ■ [Termékek](#) ■ [Rácszemét-kezelés](#)

HUBER Mosóprés WAP® SL



Super Launder Wash Press

- volume, weight and disposal cost reduction of up to 85%
- compaction up to 50% DR
- high washed screenings quality of < 20mg BOD₅ / g DR
- Feeding through a launder channel or directly from a screen or conveyor

The WAP® SL operates in a batch mode. Screenings either drop into the launder tank directly from a screen or conveyor, or they are flushed into the tank through a launder channel. After a batch of screenings has been fed, the tank is filled up with wash water and agitated for an adjustable period by means of an impeller. The fecal matter is loosened and removed from the screenings by high turbulence and shear.

After the washing cycle has been finished, an automatic valve opens and the wash water drains through perforations in the trough. It returns, together with the fecal matter, to the wastewater flow. A screw in the trough conveys the screenings towards the mouth of a tube whereby they are, as an additional option, rinsed with spray water. The screw pushes the screenings through the pressure zone where they are compressed, dewatered and compacted before they are finally discharged through the discharge pipe into a dumpster or bagger.

[Előnyök](#)

THE ADVANTAGES OF THE HUBER SCREENINGS WASH PRESS WAP® SL

- High-intensity washing in launder tank
- Washed screenings quality < 20 mg BOD₅ / g DR
- Compaction up to 50 % DS
- Volume, weight and disposal cost reduction by up to 85 %
- Screenings processing capacity of 2 - 12 m³/h (70 - 420 ft³/hr)
- Screen wastewater or process water can be used as wash water
- Sturdy design
- All structural parts, including the screw, are made of stainless steel to prevent electrochemical corrosion
- Fast payback due to great transportation and disposal cost savings

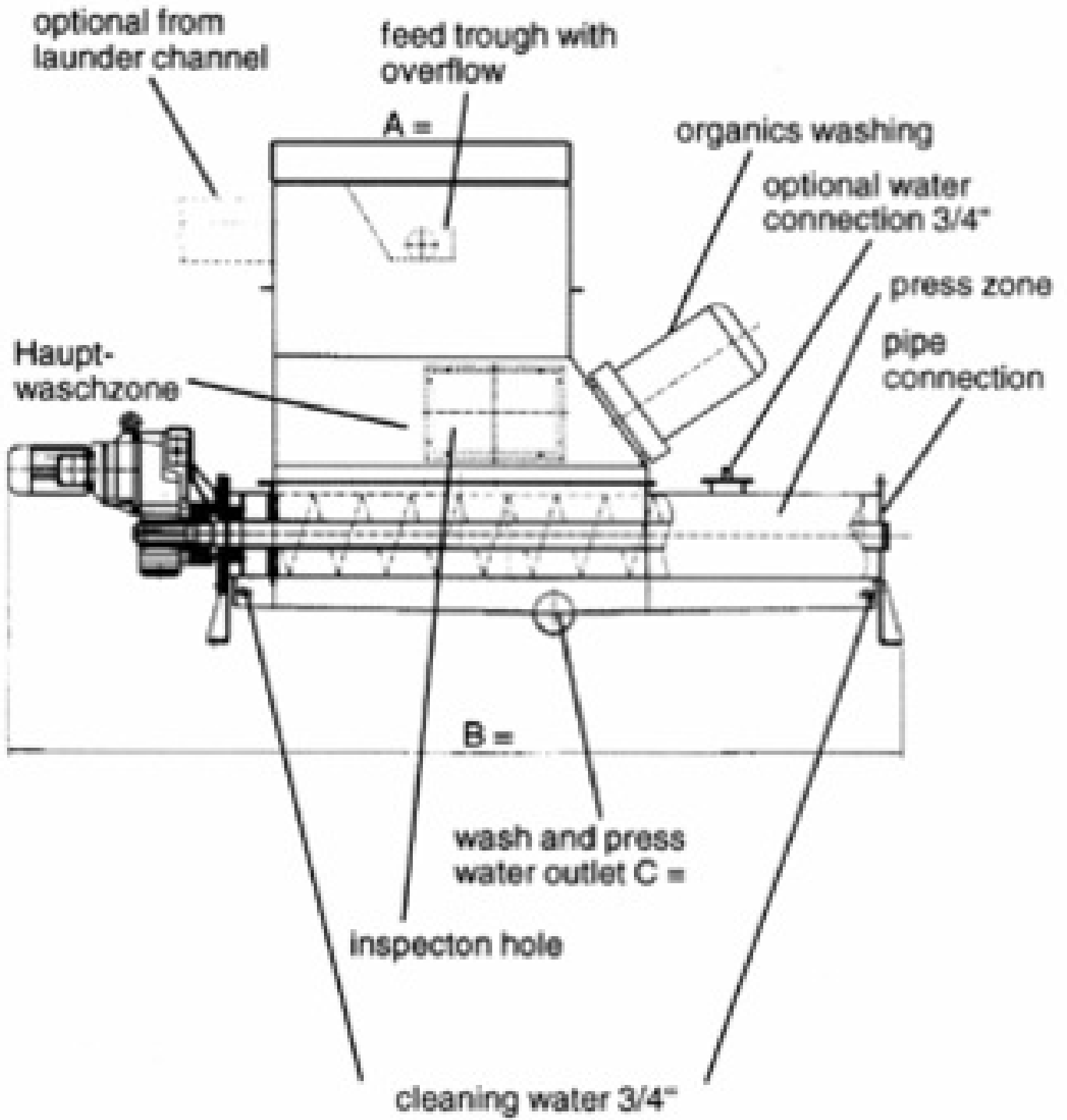
Downloads

 [Letöltés: HUBER Screenings Wash Press WAP/SL \(angol nyelven\)](#) [pdf, 239 KB]

Tapasztalatok

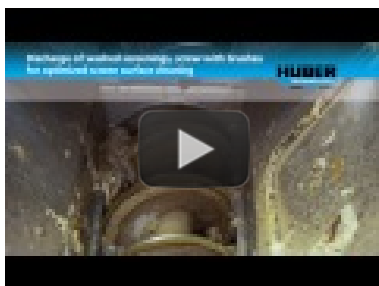
- [A Wastewater Screening and Screenings Processing Case Study at WWTP Hull \(Saltend\)](#)
- [Huber Technology upgrades the Inlet works at Duncrue Street, Belfast - a Wastewater case Study](#)
- [A successful combination: Launder Channel plus Wash Press SL](#)
- [Great HUBER Bar Screens and Wash-Presses in Dublin](#)
- [HUBER super-launder wash-press excels at Penrith WWTP](#)
- [Well Received Septic Sludge in Finland](#)

Elvi vázlatok



Media





Video: Screenings Wash Press
WAP/SL at a municipal WWTP
[https://www.youtube.com/watch?
v=vylieOQUR_9o](https://www.youtube.com/watch?v=vylieOQUR_9o)

Csoport további termékei: Rácsszemét-kezelés

- HUBER Mosóprés WAP®
- HUBER Mosóprés WAP® SL HP
- Screenings Wash Press WAP® L for Launder Channel Feeding
- HUBER Úszató vályú HLC
- HUBER Szállítócsigák
- HUBER Rácsszemét-tömörítő Ro7
- Beépített rácsszemét-kezelés



Silex Water Technologies Kft.
H-8230 Balatonfüred
Fürdő u. 17/B.
Magyarország

Tel. +36 87 580 140
Fax +36 87 580 139
Email info@huber-technology.hu
WWW www.huber-technology.hu

A HUBER csoport képviselése